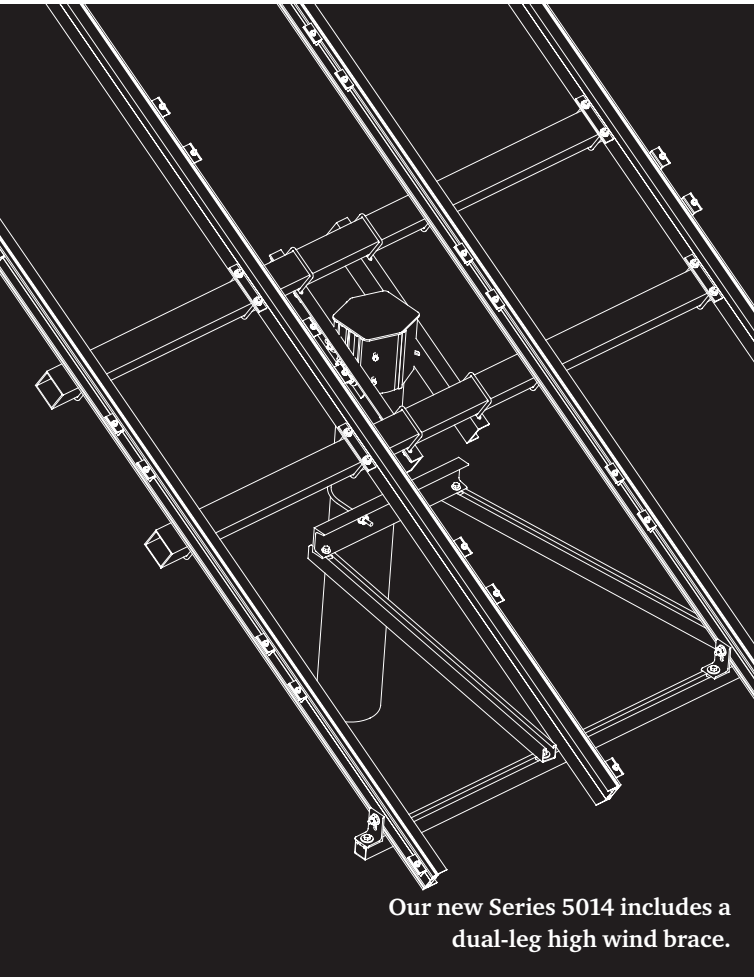




THE STANDARD IN PV MOUNTING STRUCTURES™

PV Power Anywhere

PV PoleMounts™



U.S. Des. Patent Nos. D496,248S, D496,249S. Other patents pending.

PV PoleTops® and PV PoleSides™ deliver flexible, proven designs and durability in the field. We back each rack with our long-standing personal attention to your needs.

Whether you're mounting 5 watts or more than 100 square feet per pole, UniRac PV PoleMounts™ save you money by saving time on job site.

www.unirac.com

- PV PoleTops® take on special terrain problems, such as this hillside site, which slopes east-west. Mounting the array on three poles is a better solution than a lopsided or complex truss structure.



POLETOPS®

SINGLE ROW POLETOP RACKS



Series 5000



Series 5001



Series 5002

DOUBLE ROW POLETOP RACKS



Series 5003



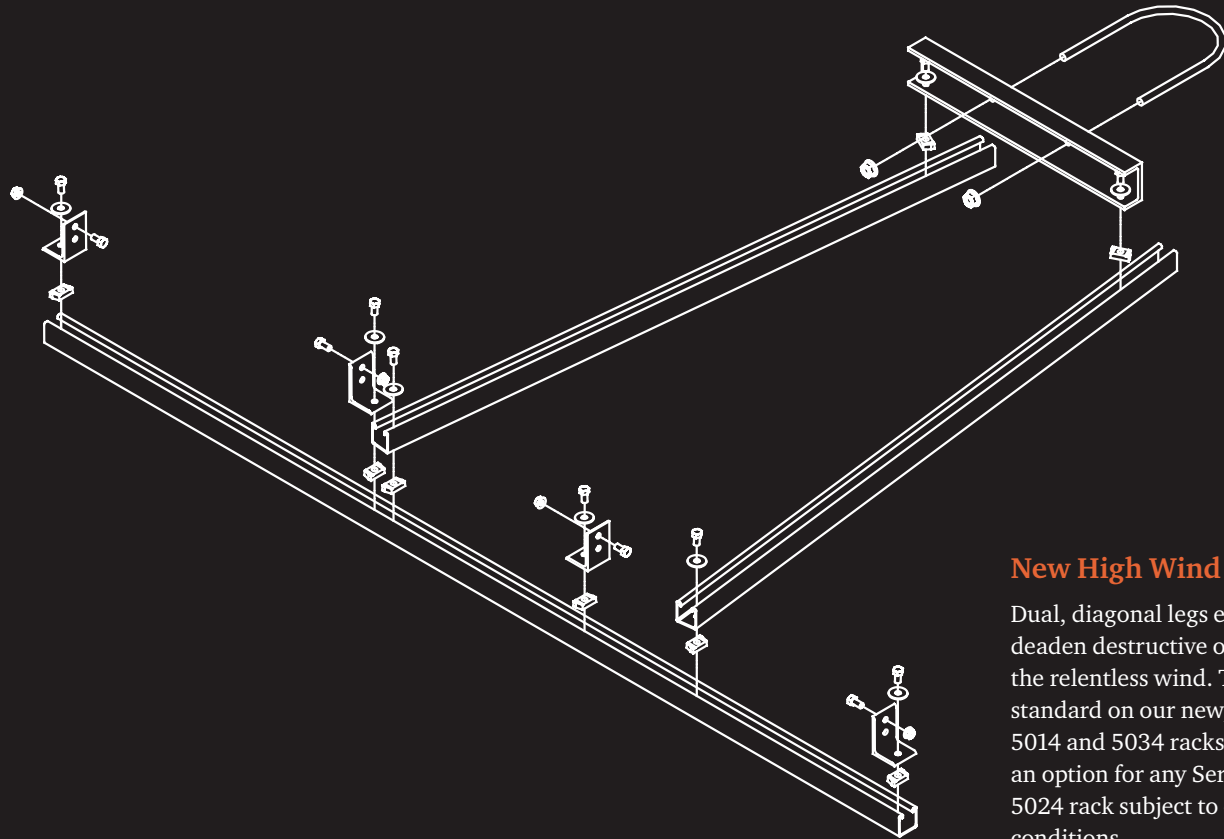
Series 5004
continued as Series 5024



Series 5014
continued as Series 5034



For a single 5-watt module or 100+ square feet of PV per pole, save time and money on the job site.



New High Wind Brace

Dual, diagonal legs effectively deaden destructive oscillations in the relentless wind. The brace is standard on our new, largest Series 5014 and 5034 racks. Order it as an option for any Series 5004 and 5024 rack subject to extreme wind conditions.

PV Power Anywhere

Low Cost Durability and Flexibility

Aluminum structural components and stainless steel hardware resist corrosion. Lightweight materials keep shipping costs low and mount to readily available Schedule 40 or 80 steel poles. Substitute hardware or pole reducers give you pole-size flexibility.

Design Wind Pressure

Each PV PoleTops® installation is rated as a full system by UniRac's proprietary engineering analysis software, which factors in rack model number, type and number of PV modules, array tilt angle, and mounting pole characteristics.

The SolarMount® Advantage

All PV PoleTops® and most adjustable PV PoleSides™ mount modules quickly and easily to SolarMount rails. HD (heavy duty) rails give larger racks great strength across long rows.

Bottom-mounting clips align effortlessly to module mounting holes. (Call UniRac for a top mounting clamps if you're installing modules without mounting holes.) You choose — attach modules one-by-one to mounted rails or preassemble rows of modules before mounting.

- PV PoleSides™ are ideal when a small amount of reliable power is required in a remote site. This installation is one of a series powering weather monitoring equipment along a major highway.



PV Polesides™

ADJUSTABLE SIDE-OF-POLE RACKS



Series 4000



Series 4001



Series 4002

FIXED TILT SIDE-OF-POLE RACKS



Series 4011



Series 4012

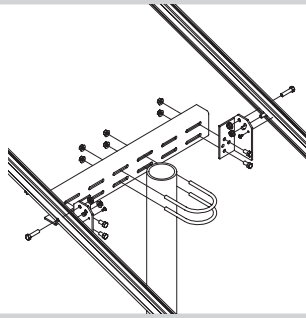
Series Features

Locate complete assembly instructions for each series at www.unirac.com.

PV PoleTops® Single Row

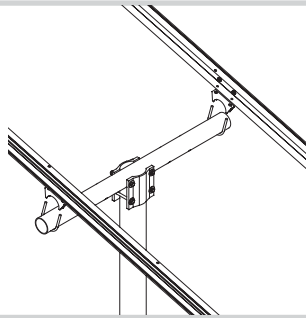
Series 5000

- Array size up to 16 square feet.
- Adjusts from 15 to 60 degrees from the horizontal.
- Mounts to installer-supplied 2.5-inch (65 mm) Schedule 40 or 80 steel pole, outside diameter 2.875 inches (73.0 mm).



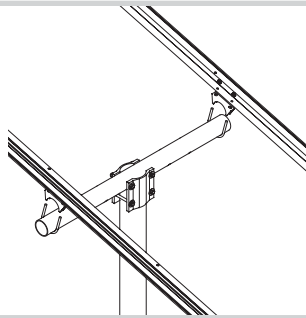
Series 5001

- Array size up to 33 square feet.
- Adjusts from 0 to 90 degrees from the horizontal.
- Mounts to installer-supplied 3-inch (80 mm) Schedule 40 or 80 steel pole, outside diameter 3.500 inches (88.9 mm).



Series 5002

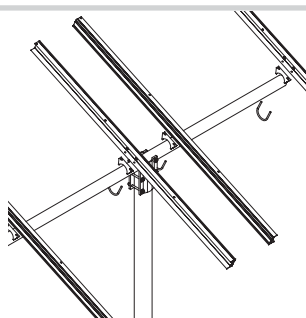
- Array size up to 45 square feet.
- Adjusts from 0 to 90 degrees from the horizontal.
- Mounts to installer-supplied 4-inch (100 mm) Schedule 40 or 80 steel pole, outside diameter 4.500 inches (114.3 mm).



PV PoleTops® Double Row

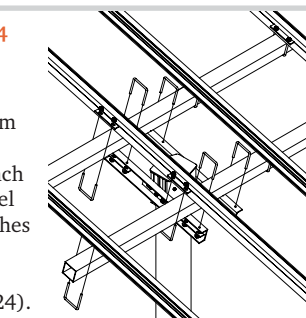
Series 5003

- Array size up to 65 square feet.
- Adjusts from 0 to 90 degrees from the horizontal.
- Mounts to installer-supplied 4-inch (100 mm) Schedule 40 or 80 steel pole, outside diameter 4.500 inches (114.3 mm).



Series 5004/5024 and 5014/5034

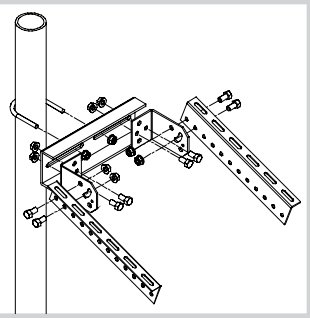
- Array size up to 140 square feet (5014/5034).
- Adjust from 15 to 60 degrees from the horizontal.
- Mounts to installer-supplied 6-inch (150 mm) Schedule 40 or 80 steel pole, outside diameter 6.625 inches (168.3 mm).
- High wind brace (standard for 5014/5034, option for 5004/5024).



PV PoleSides™ Adjustable

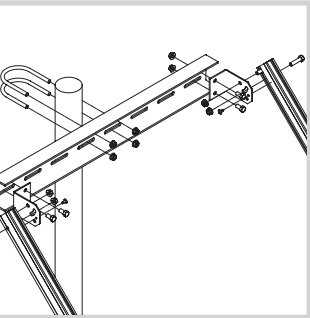
Series 4000

- Mounts one PV module.
- Adjusts from 15 to 60 degrees from the horizontal.
- Mounts to installer-supplied 2-inch (50 mm) Schedule 40 or 80 steel pole, outside diameter 2.375 inches (60.3 mm).
- Optional hardware for larger diameter poles.



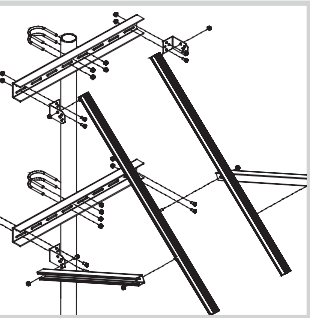
Series 4001

- Mounts one PV module.
- Adjusts from 15 to 60 degrees from the horizontal.
- Mounts to installer-supplied 2.5-inch (65 mm) Schedule 40 or 80 steel pole, outside diameter 2.875 inches (73.0 mm).
- Optional hardware for larger diameter poles.



Series 4002

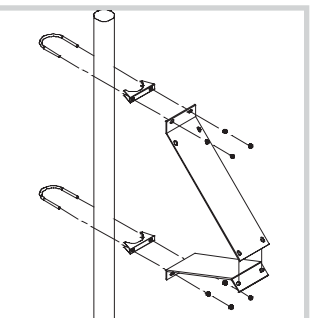
- Array size up to 45 square feet.
- Tilt range varies with model.
- Mounts to installer-supplied 2.5-inch (65 mm), 3-inch (80 mm) or 4-inch (100 mm) Schedule 40 or 80 steel pole, depending on model.
- Optional hardware for larger diameter poles.



PV PoleSides™ Fixed Tilt

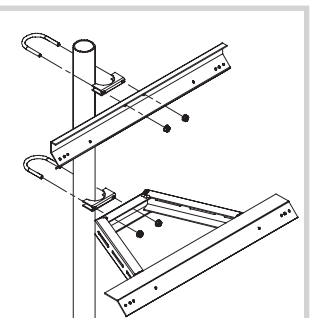
Series 4011

- Mounts one PV module.
- Fixed 45 degree tilt angle.
- Mounts to installer-supplied 2-inch (50 mm) Schedule 40 or 80 steel pole, outside diameter 2.375 inches (60.3 mm).
- Optional hardware for 1.5-inch (40 mm) Schedule 40 or 80 steel pole, outside diameter 1.900 inches (48.3 mm).



Series 4012

- Mounts one PV module.
- Fixed 45 or 60 degree tilt angle.
- Mounts to installer-supplied 2-inch (50 mm) Schedule 40 or 80 steel pole, outside diameter 2.375 inches (60.3 mm).
- Optional hardware for 1.5-inch (40 mm) Schedule 40 or 80 steel pole, outside diameter 1.900 inches (48.3 mm).



Material Specifications • Standard component + Optional component

PV PoleSides™ Series No.					PV PoleTops® Series No.						Component	Material	
Adjustable			Fixed		Single			Double					
4000	4001	4002	4011	4012	5000	5001	5002	5003	5004 5024	5014 5034			
	•	•			•						SolarMount standard rails, anodized	6061-T6 aluminum or equivalent alloy.	
						•	•	•	•	•	SolarMount HD (heavy duty) rails, anodized		
										•	Square cross tubes		
							•	•	•		Cross pipe		
	•	•			•	•	•	•	•	•	SolarMount bottom mounting clips, anodized		
						•	•	•			Pole clamps		
									•	•	Welded pole can		
									•	•	Tilt struts		
									•	•	Strut plates, anodized		
		•									Leg struts		
									+	•	Wind brace rail strut		
									+	•	Wind brace leg struts		
									+	•	Wind brace pole bracket		
•	•	•			•						Cross channel(s)		5052-H32 aluminum
•	•	•			•						Channel brackets		
•											Angle rails		
						•	•	•			Pole cap		
			•	•							Upper bracket		
			•								Lower bracket		
				•							Welded lower bracket		
									•	•	Lock nuts	Zinc-plated steel, Grade 8	
									•	•	Carriage bolts	Zinc-plated steel, Grade 5	
•	•				•						Self-tapping screws	Zinc-plated steel	
•	•	•	•	•	•	•	•	•	+	•	U-bolt(s)	18-8 stainless steel	
									•	•	Square U-bolts		
•	•	•	•	•	•	•	•	•	•	•	Other fasteners		
									•	•	Washer plates		

Warranty

PV PoleMounts are covered by a 10-year limited product warranty. For complete language, download any PV PoleMounts installation manual from our web site.

