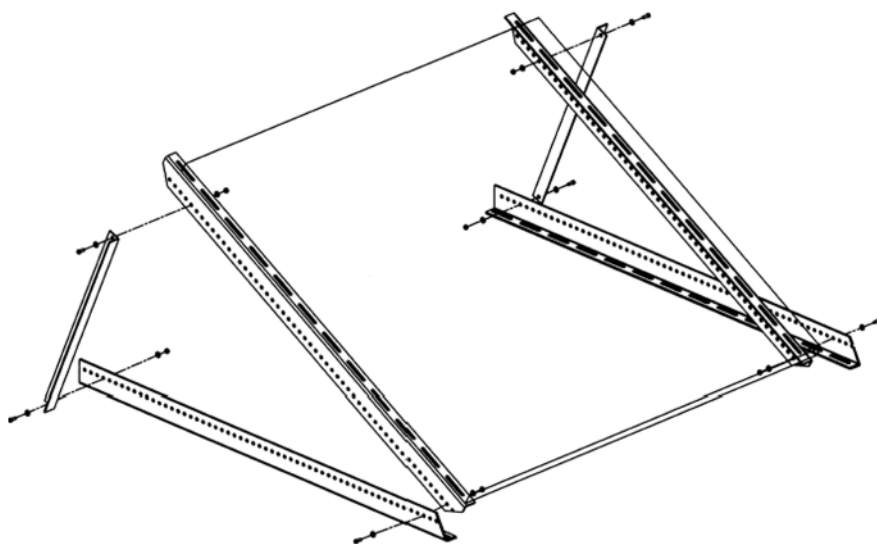


Adjustable RV Module Rack

Models 990010 thru 990014 and 990032

(Formerly U-RV/16 thru U-RV/32)

Installation Sheet 904.3



Parts List

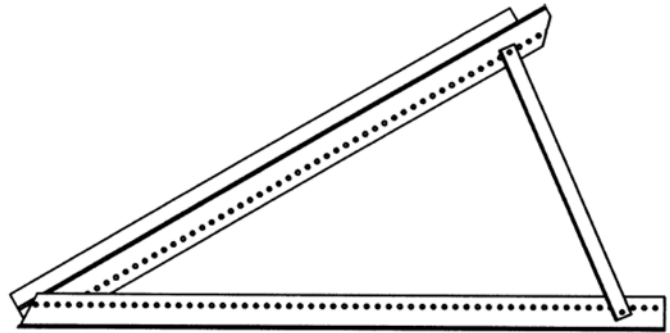
Part	Quantity
Rail	4
Leg	2
Module bolt, 1/4" x 5/8"	5
Flange nut, 1/4"	5
Wing bolt, 5/16"	6
Wing nut, 5/16"	6

Caution

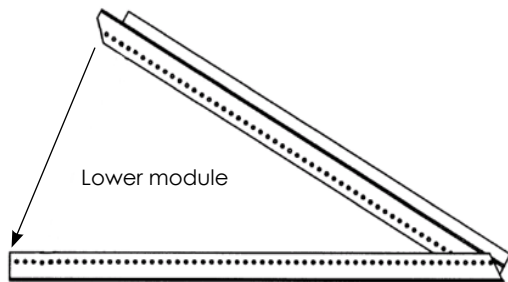
Stainless steel hardware can seize up, a process called galling. To significantly reduce the likelihood of galling, apply a small drop of anti-seize lubricant to the threads of all bolts before installation. Anti-seize lubricants are readily available in auto parts and hardware stores. In their absence, any lubricant will reduce chances of galling.

1. Mount the PV modules to the UniRac rails with the ¼" hardware provided.
2. Attach mounting feet to the ends of the rails and use as a template to determine foot spacing. Securely fasten mounting feet to the roof of the RV. (Roof fasteners are not included.)
3. Place support legs as needed for desired angle of the PV modules. Securely fasten all hardware.

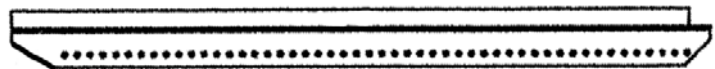
Note: The UniRac may be tilted to face in either direction.



WARNING: The UniRac-PV module assembly MUST be lowered and secured tightly before driving.



Module assembly secured



10 year limited Product Warranty

UniRac, Inc., warrants to the original purchaser ("Purchaser") of product(s) that it manufactures ("Product") at the original installation site that the Product shall be free from defects in material and workmanship for a period of ten (10) years, from the earlier of 1) the date the installation of the Product is completed, or 2) 30 days after the purchase of the Product by the original Purchaser. This Warranty does not cover damage to the Product that occurs during its shipment, storage, or installation.

This Warranty shall be VOID if installation of the Product is not performed in accordance

with UniRac's written installation instructions, or if the Product has been modified, repaired, or reworked in a manner not previously authorized by UniRac IN WRITING, or if the Product is installed in an environment for which it was not designed. UniRac shall not be liable for consequential, contingent or incidental damages arising out of the use of the Product by the Purchaser under any circumstances.

If within the specified Warranty period the Product shall be reasonably proven to be defective, then UniRac shall repair or replace the defective Product, or any part thereof,

in UniRac's sole discretion. Such repair or replacement shall completely satisfy and discharge all of UniRac's liability with respect to this limited Warranty. Under no circumstances shall UniRac be liable for special, indirect or consequential damages arising out of or related to use by Purchaser of the Product.

Manufacturers of related items, such as PV modules and flashings, may provide written warranties of their own. UniRac's limited Warranty covers only its Product, and not any related items.



THE NEW STANDARD IN PV MODULE RACKS™